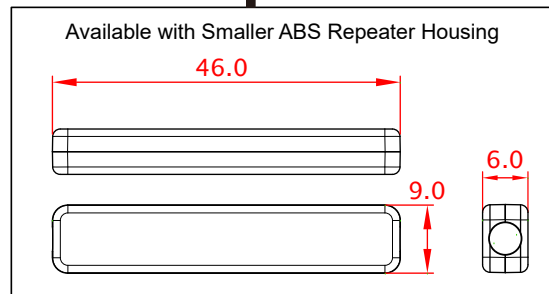
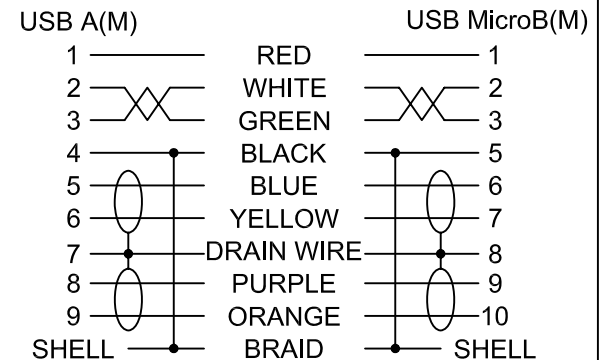


Operating Temperature: 0°C~70°C
 Operating Humidity: 20%~80% (no condensation)
 Storage Temperature: -25°C~85°C
 Storage Humidity: 20%~80% (no condensation)

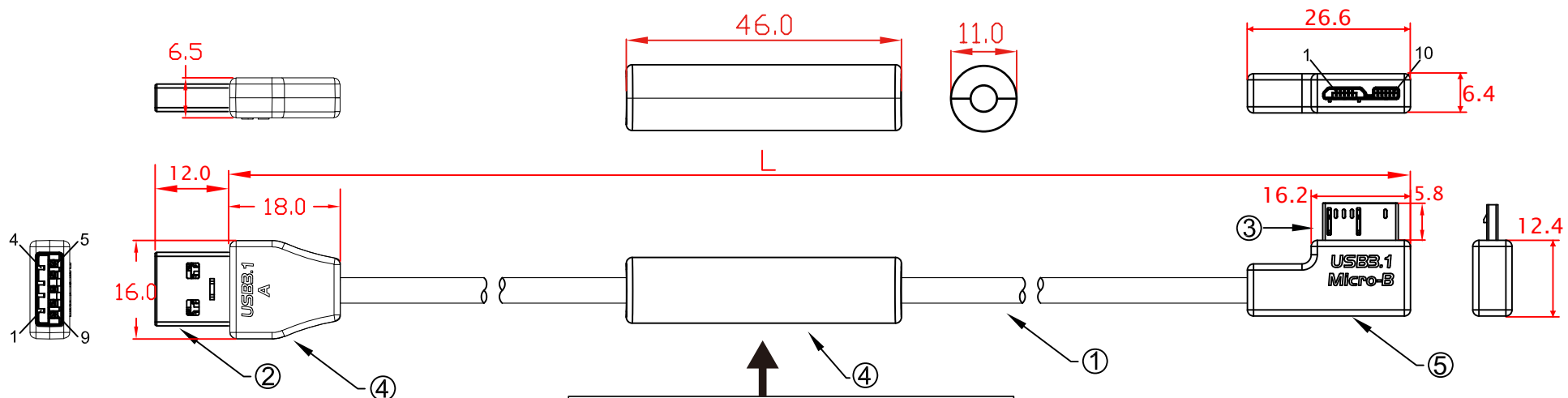
L:
 CBL-43USD302MB-5m 5000mm±30mm



No	MATERIALS LIST:
1.	CABLE:UL20276 (1P*30SC#+D+AL+Mylar)*2C+1P*32#+1C*24 OD:4.3mm PVC JACKET COLOR:BLUE
2.	CONNECTOR:USB 3.0 A/M, 9P, BLUE INSULATOR SOLDER TYPE, NICKEL PLATED SHELL
3.	CONNECTOR:USB 3.0 MicroB/M, 10P, BLACK INSULATOR SOLDER TYPE, NICKEL PLATED SHELL
4.	ABS ASSEMBLY HOUSING,BLUE COLOR

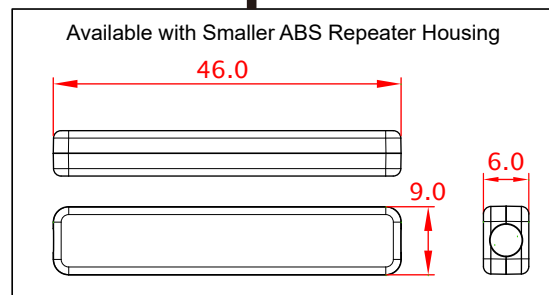


Jargy part no.	Client part no.	Approved	SCALE	UNIT
CBL-43USD302MB-Xm				mm
Drawing Name		Drawn	Date	REV.
USB 3.0 A to Micro-B Cable M/M				1.0

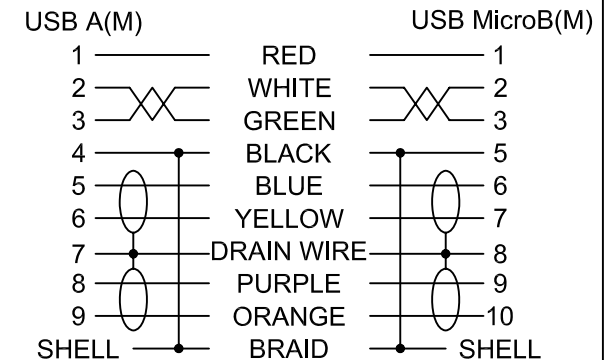


Operating Temperature: 0°C~70°C
 Operating Humidity: 20%~80% (no condensation)
 Storage Temperature: -25°C~85°C
 Storage Humidity: 20%~80% (no condensation)

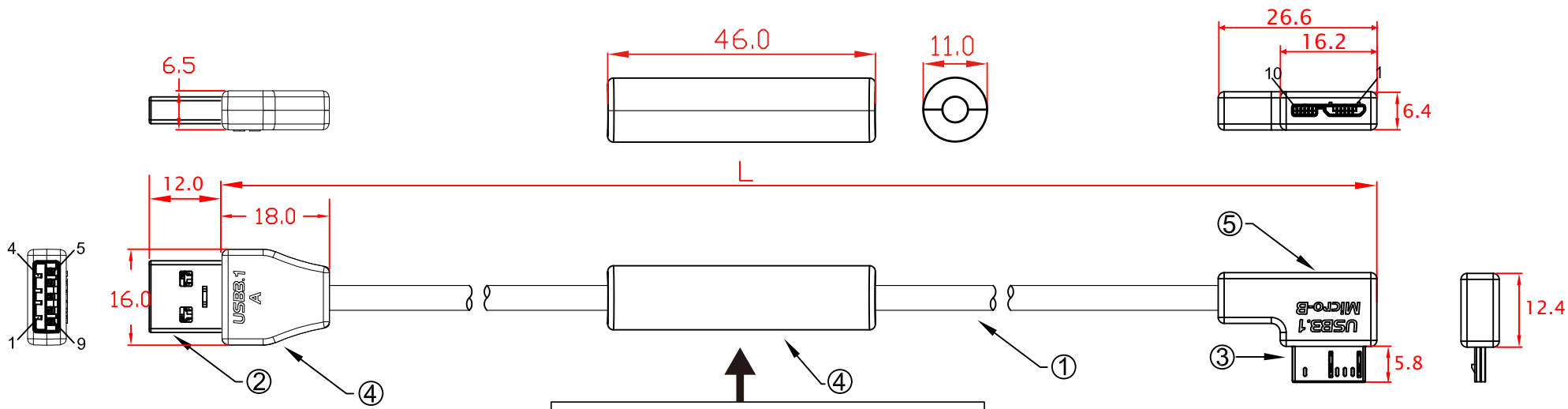
L:
 CBL-43USD302MB-5mLA 5000mm±30mm



No	MATERIALS LIST:
1.	CABLE:UL20276 (1P*30SC#+D+AL+Mylar)*2C+1P*32#+1C*24 OD:4.3mm PVC JACKET COLOR:BLUE
2.	CONNECTOR:USB 3.0 A/M, 9P, BLUE INSULATOR SOLDER TYPE, NICKEL PLATED SHELL
3.	CONNECTOR:USB 3.0 MicroB/M, 10P, BLACK INSULATOR SOLDER TYPE, NICKEL PLATED SHELL
4.	ABS ASSEMBLY HOUSING,BLUE COLOR
5.	PVC MOLDED HOUSING, BLUE COLOR

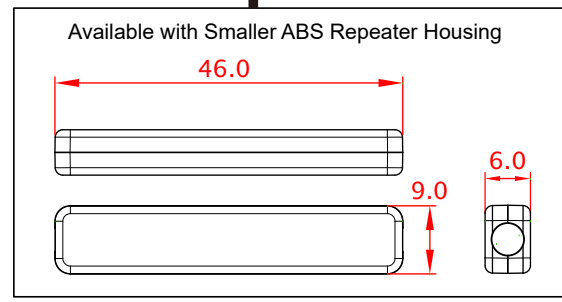


Jargy part no.	Client part no.	Approved	SCALE	UNIT
CBL-43USD302MB-XmLA				mm
Drawing Name		Drawn	Date	REV.
USB 3.0 A to Micro-B Cable M/M				1.0

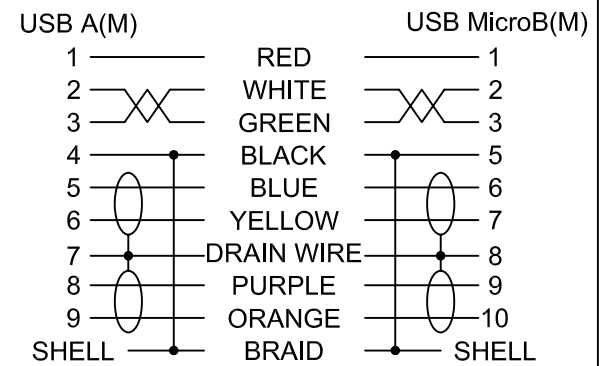


Operating Temperature: 0°C~70°C
 Operating Humidity: 20%~80% (no condensation)
 Storage Temperature: -25°C~85°C
 Storage Humidity: 20%~80% (no condensation)

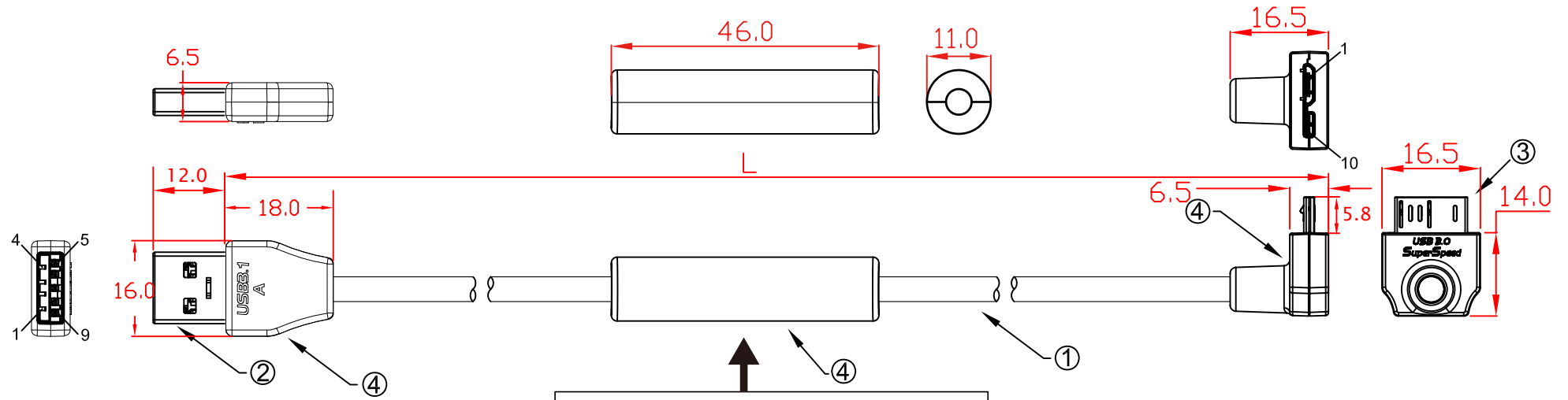
L:
 CBL-43USD302MB-5mRA 5000mm±30mm



No	MATERIALS LIST:
1.	CABLE:UL20276 (1P*30SC#+D+AL+Mylar)*2C+1P*32#+1C*24 OD:4.3mm PVC JACKET COLOR:BLUE
2.	CONNECTOR:USB 3.0 A/M, 9P, BLUE INSULATOR SOLDER TYPE, NICKEL PLATED SHELL
3.	CONNECTOR:USB 3.0 MicroB/M, 10P, BLACK INSULATOR SOLDER TYPE, NICKEL PLATED SHELL
4.	ABS ASSEMBLY HOUSING,BLUE COLOR
5.	PVC MOLDED HOUSING, BLUE COLOR

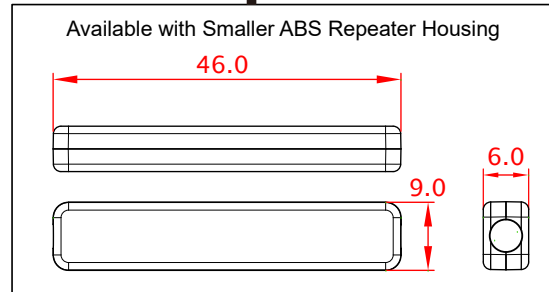


Jargy part no.	Client part no.	Approved	SCALE	UNIT
CBL-43USD302MB-XmRA				mm
Drawing Name		Drawn	Date	REV.
USB 3.0 A to Micro-B Cable M/M				1.0

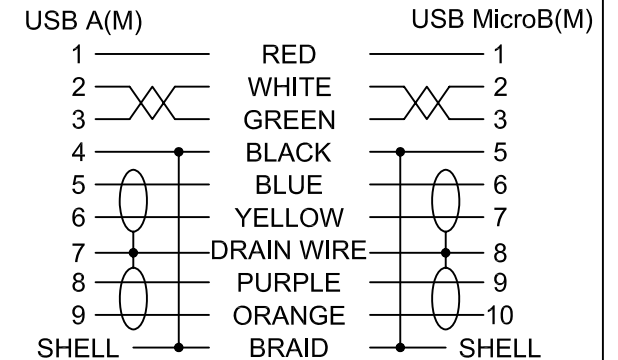


Operating Temperature: 0°C~70°C
 Operating Humidity: 20%~80% (no condensation)
 Storage Temperature: -25°C~85°C
 Storage Humidity: 20%~80% (no condensation)

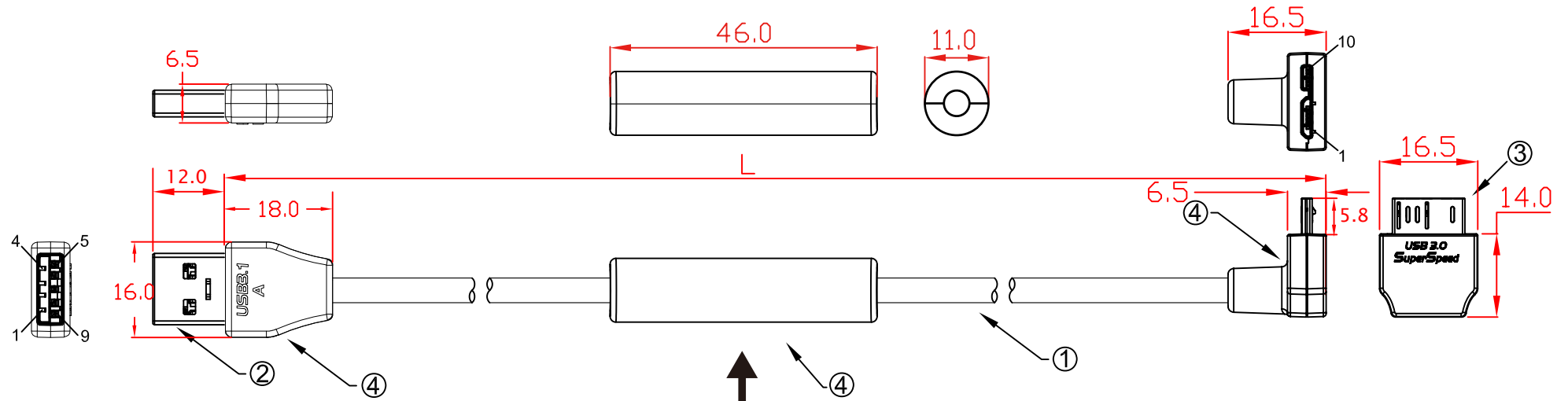
L:
 CBL-43USD302MB-5mUA 5000mm±30mm



No	MATERIALS LIST:
1.	CABLE:UL20276 (1P*30SC#+D+AL+Mylar)*2C+1P*32#+1C*24 OD:4.3mm PVC JACKET COLOR:BLUE
2.	CONNECTOR:USB 3.0 A/M, 9P, BLUE INSULATOR SOLDER TYPE, NICKEL PLATED SHELL
3.	CONNECTOR:USB 3.0 MicroB/M, 10P, BLACK INSULATOR SOLDER TYPE, NICKEL PLATED SHELL
4.	ABS ASSEMBLY HOUSING,BLUE COLOR

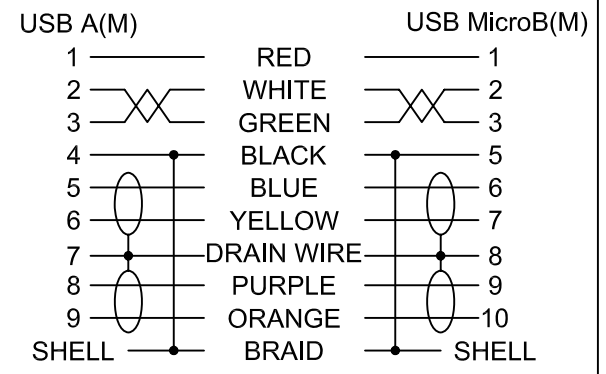
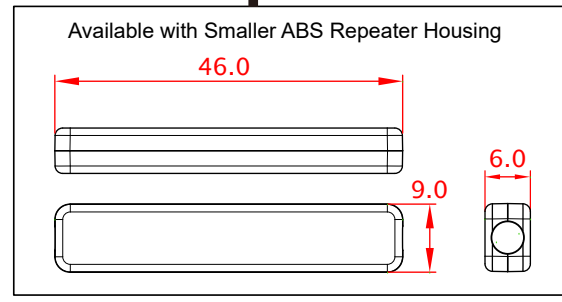


Jargy part no.	Client part no.	Approved	SCALE	UNIT
CBL-43USD302MB-XmUA				mm
Drawing Name		Drawn	Date	REV.
USB 3.0 A to Micro-B Cable M/M				1.0



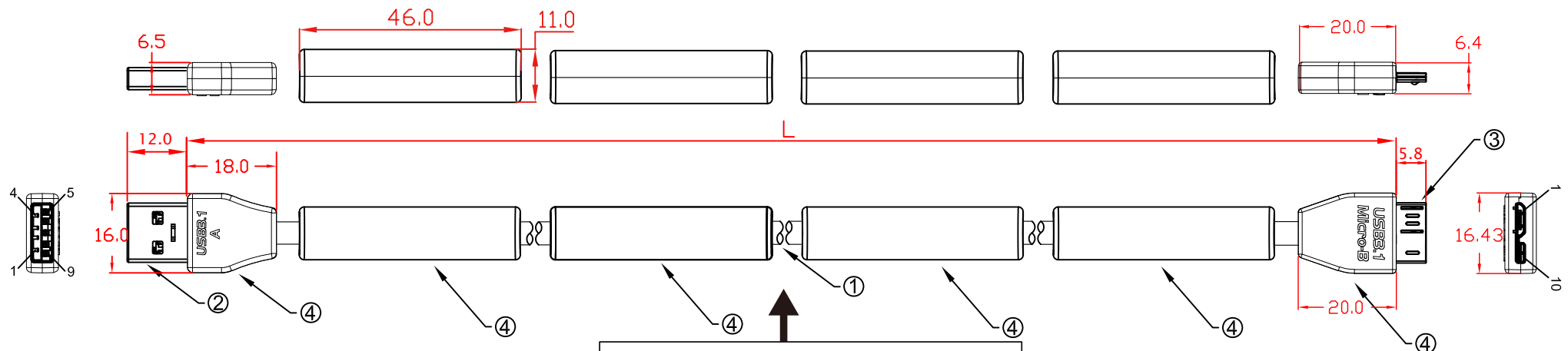
Operating Temperature: 0°C~70°C
 Operating Humidity: 20%~80% (no condensation)
 Storage Temperature: -25°C~85°C
 Storage Humidity: 20%~80% (no condensation)

L:
 CBL-43USD302MB-5mDA 5000mm±30mm



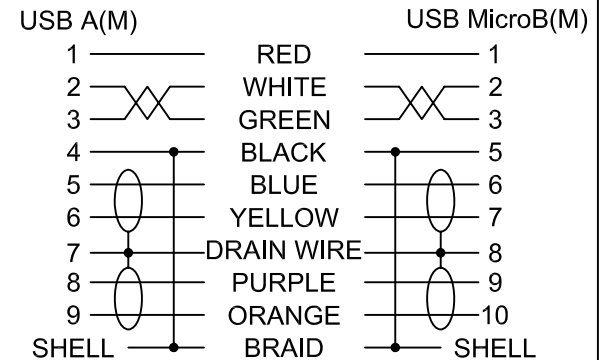
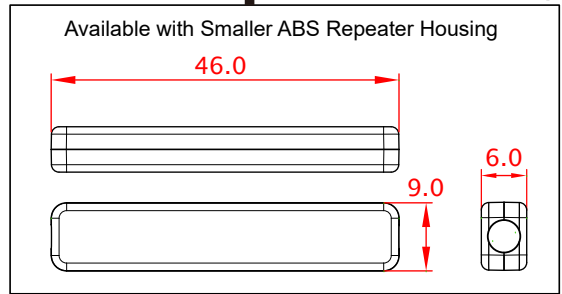
No	MATERIALS LIST:
1.	CABLE:UL20276 (1P*30SC#+D+AL+Mylar)*2C+1P*32#+1C*24 OD:4.3mm PVC JACKET COLOR:BLUE
2.	CONNECTOR:USB 3.0 A/M, 9P, BLUE INSULATOR SOLDER TYPE, NICKEL PLATED SHELL
3.	CONNECTOR:USB 3.0 MicroB/M, 10P, BLACK INSULATOR SOLDER TYPE, NICKEL PLATED SHELL
4.	ABS ASSEMBLY HOUSING,BLUE COLOR

Jargy part no.	Client part no.	Approved	SCALE	UNIT
CBL-43USD302MB-XmDA				mm
Drawing Name		Drawn	Date	REV.
USB 3.0 A to Micro-B Cable M/M				1.0



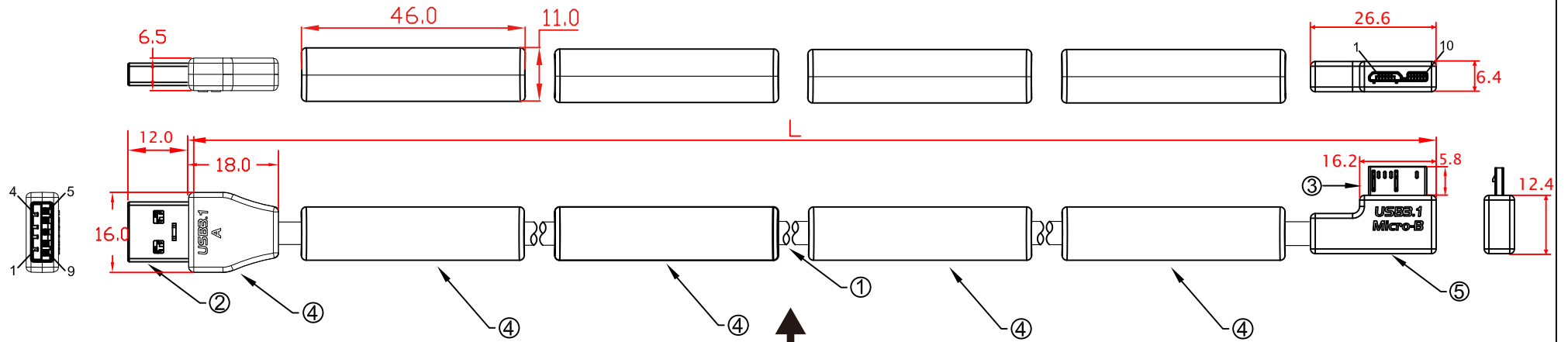
Operating Temperature: 0°C~70°C
 Operating Humidity: 20%~80% (no condensation)
 Storage Temperature: -25°C~85°C
 Storage Humidity: 20%~80% (no condensation)

L:
 CBL-43USD302MB-10m 10000mm±50mm

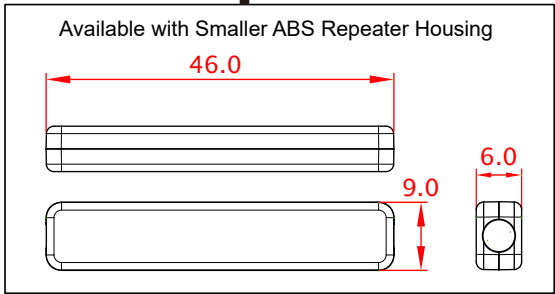


No	MATERIALS LIST:
1.	CABLE:UL20276 (1P*30SC#+D+AL+Mylar)*2C+1P*32#+1C*24 OD:4.3mm PVC JACKET COLOR:BLUE
2.	CONNECTOR:USB 3.0 A/M, 9P, BLUE INSULATOR SOLDER TYPE, NICKEL PLATED SHELL
3.	CONNECTOR:USB 3.0 MicroB/M, 10P, BLACK INSULATOR SOLDER TYPE, NICKEL PLATED SHELL
4.	ABS ASSEMBLY HOUSING,BLUE COLOR

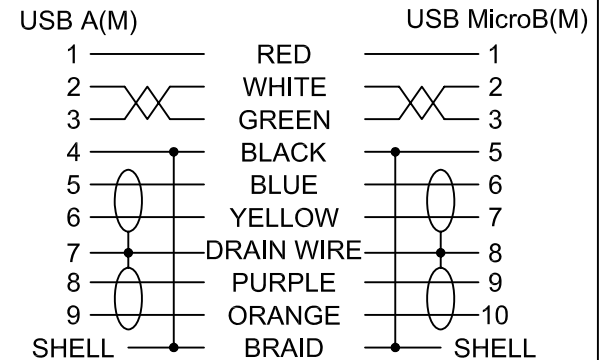
Jargy part no.	Client part no.	Approved	SCALE	UNIT
CBL-43USD302MB-Xm				mm
Drawing Name		Drawn	Date	REV.
USB 3.0 A to Micro-B Cable M/M				1.0



Operating Temperature: 0°C~70°C
 Operating Humidity: 20%~80% (no condensation)
 Storage Temperature: -25°C~85°C
 Storage Humidity: 20%~80% (no condensation)

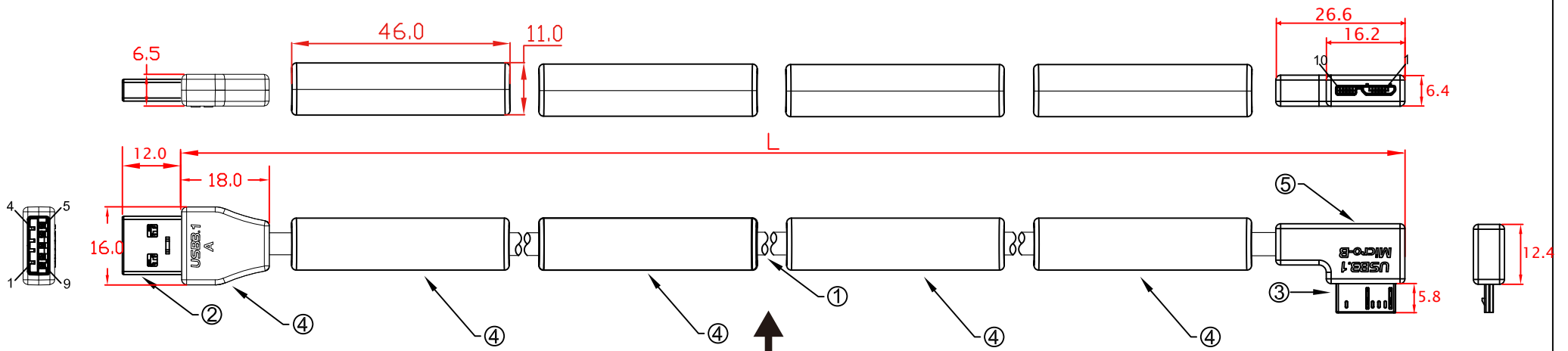


L:
 CBL-43USD302MB-10mLA 10000mm±50mm

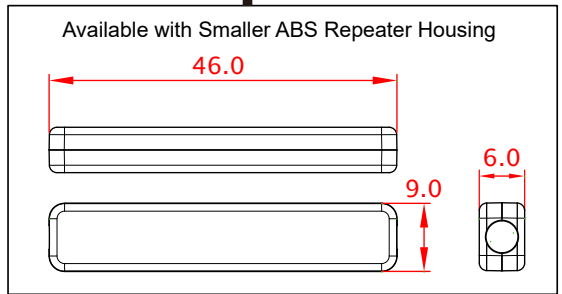


No	MATERIALS LIST:
1.	CABLE:UL20276 (1P*30SC#+D+AL+Mylar)*2C+1P*32#+1C*24 OD:4.3mm PVC JACKET COLOR:BLUE
2.	CONNECTOR:USB 3.0 A/M, 9P, BLUE INSULATOR SOLDER TYPE, NICKEL PLATED SHELL
3.	CONNECTOR:USB 3.0 MicroB/M, 10P, BLACK INSULATOR SOLDER TYPE, NICKEL PLATED SHELL
4.	ABS ASSEMBLY HOUSING,BLUE COLOR
5.	PVC MOLDED HOUSING, BLUE COLOR

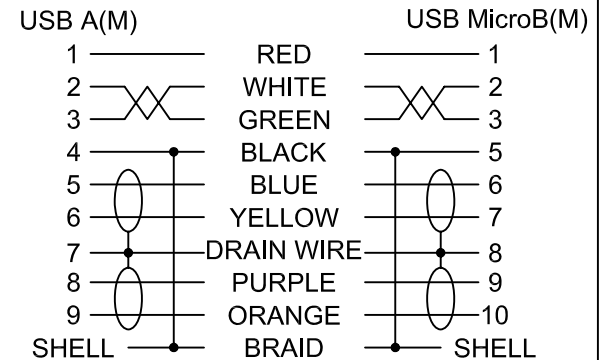
Jargy part no.	Client part no.	Approved	SCALE	UNIT
CBL-43USD302MB-XmLA				mm
Drawing Name		Drawn	Date	REV.
USB 3.0 A to Micro-B Cable M/M				1.0



Operating Temperature: 0°C~70°C
 Operating Humidity: 20%~80% (no condensation)
 Storage Temperature: -25°C~85°C
 Storage Humidity: 20%~80% (no condensation)

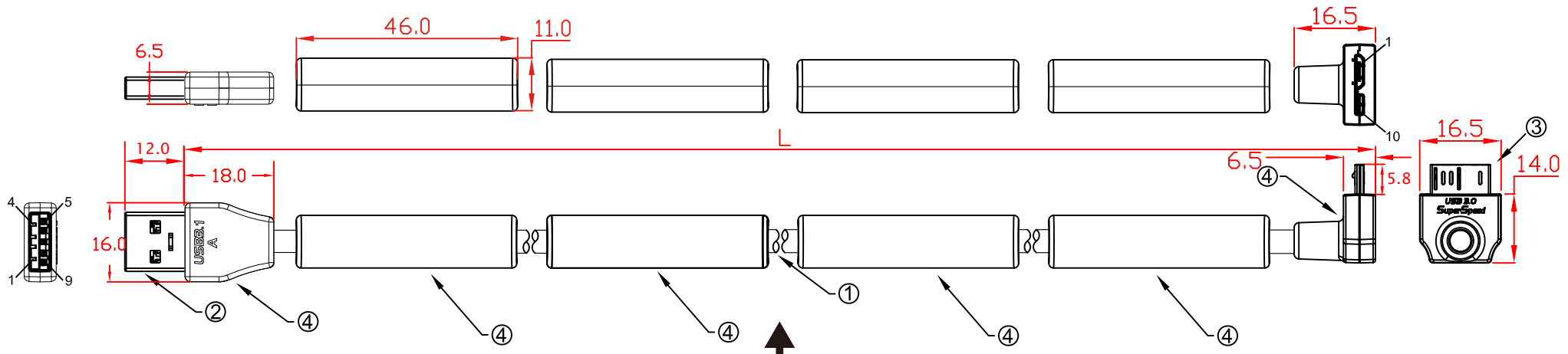


L:
 CBL-43USD302MB-10mRA 10000mm±50mm

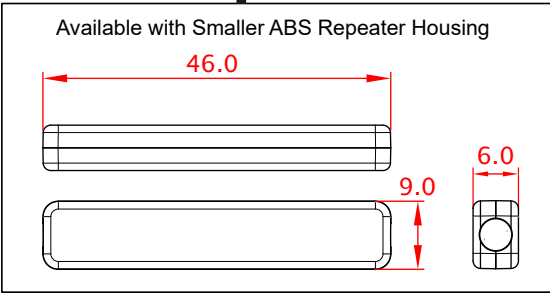


No	MATERIALS LIST:
1.	CABLE:UL20276 (1P*30SC#+D+AL+Mylar)*2C+1P*32#+1C*24 OD:4.3mm PVC JACKET COLOR:BLUE
2.	CONNECTOR:USB 3.0 A/M, 9P, BLUE INSULATOR SOLDER TYPE, NICKEL PLATED SHELL
3.	CONNECTOR:USB 3.0 MicroB/M, 10P, BLACK INSULATOR SOLDER TYPE, NICKEL PLATED SHELL
4.	ABS ASSEMBLY HOUSING,BLUE COLOR
5.	PVC MOLDED HOUSING, BLUE COLOR

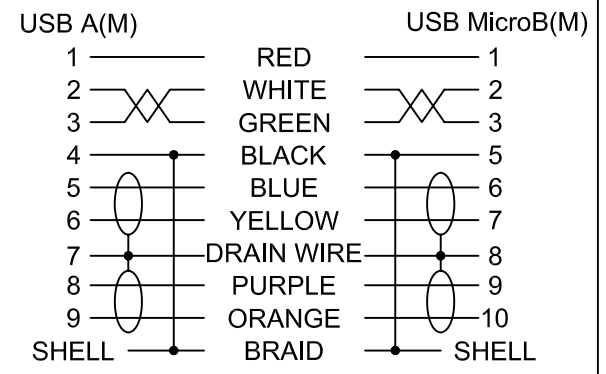
Jargy part no.	Client part no.	Approved	SCALE	UNIT
CBL-43USD302MB-XmRA				mm
Drawing Name		Drawn	Date	REV.
USB 3.0 A to Micro-B Cable M/M				1.0



Operating Temperature: 0°C~70°C
 Operating Humidity: 20%~80% (no condensation)
 Storage Temperature: -25°C~85°C
 Storage Humidity: 20%~80% (no condensation)

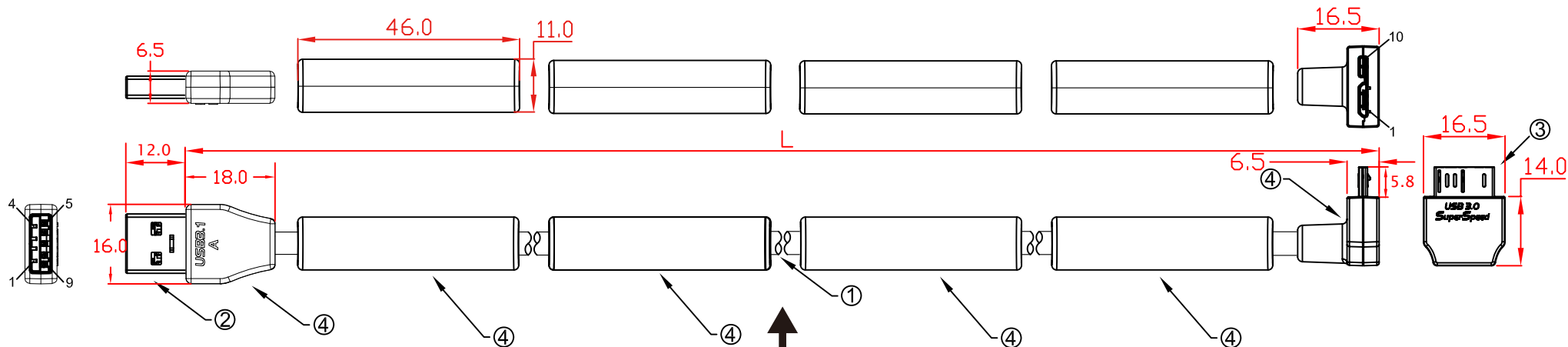


L:
 CBL-43USD302MB-10mUA 10000mm±50mm



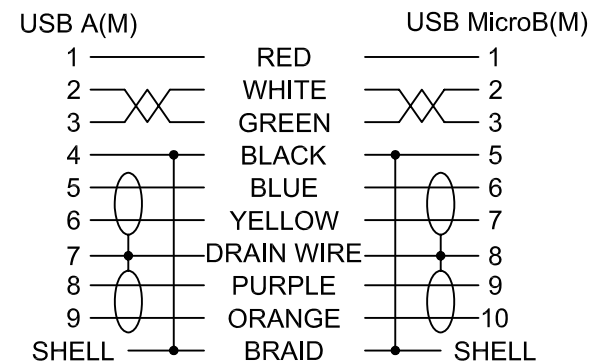
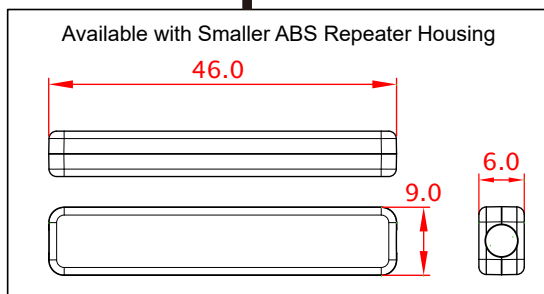
No	MATERIALS LIST:
1.	CABLE:UL20276 (1P*30SC#+D+AL+Mylar)*2C+1P*32#+1C*24 OD:4.3mm PVC JACKET COLOR:BLUE
2.	CONNECTOR:USB 3.0 A/M, 9P, BLUE INSULATOR SOLDER TYPE, NICKEL PLATED SHELL
3.	CONNECTOR:USB 3.0 MicroB/M, 10P, BLACK INSULATOR SOLDER TYPE, NICKEL PLATED SHELL
4.	ABS ASSEMBLY HOUSING,BLUE COLOR

Jargy part no.	Client part no.	Approved	SCALE	UNIT
CBL-43USD302MB-XmUA				mm
Drawing Name		Drawn	Date	REV.
USB 3.0 A to Micro-B Cable M/M				1.0



Operating Temperature: 0°C~70°C
 Operating Humidity: 20%~80% (no condensation)
 Storage Temperature: -25°C~85°C
 Storage Humidity: 20%~80% (no condensation)

L:
 CBL-43USD302MB-10mDA 10000mm±50mm



No	MATERIALS LIST:
1.	CABLE:UL20276 (1P*30SC#+D+AL+Mylar)*2C+1P*32#+1C*24 OD:4.3mm PVC JACKET COLOR:BLUE
2.	CONNECTOR:USB 3.0 A/M, 9P, BLUE INSULATOR SOLDER TYPE, NICKEL PLATED SHELL
3.	CONNECTOR:USB 3.0 MicroB/M, 10P, BLACK INSULATOR SOLDER TYPE, NICKEL PLATED SHELL
4.	ABS ASSEMBLY HOUSING,BLUE COLOR

Jargy part no.	Client part no.	Approved	SCALE	UNIT
CBL-43USD302MB-XmDA				mm
Drawing Name		Drawn	Date	REV.
USB 3.0 A to Micro-B Cable M/M				1.0